



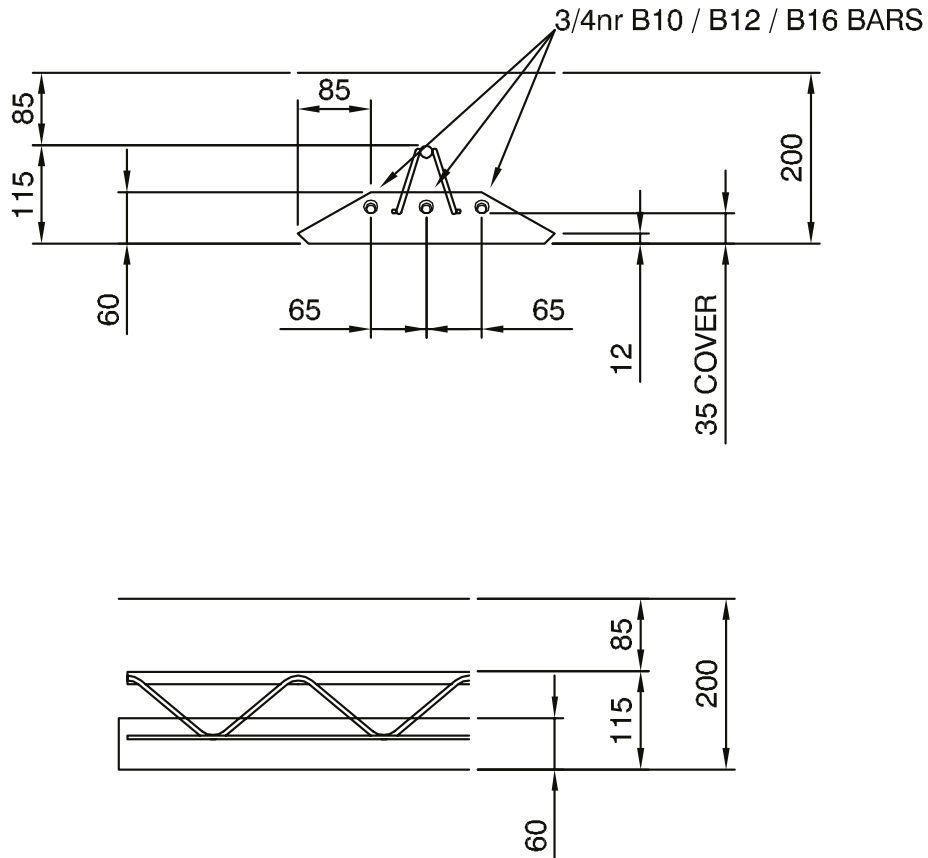
**BISON PRECAST**

a Forterra brand

# TYPE 1 DECK

Omnia Bridge Deck - For a 200mm deep overall slab

Note: Do not scale from this drawing. If in doubt, please ask for confirmation of any dimension.



|  |       |
|--|-------|
| Omnia plank depth:                             | 60mm  |
| Overall depth including lattice:               | 115mm |
| Cover to reinforcement:                        | 35mm  |
| Lattice depth:                                 | 80mm  |
| Allowance for in situ reinforcement and cover: | 85mm  |